

USBm10-BF-BF-V1A

1. Description:

USBm10-BF-BF-V1A is a simple mini USB2.0 Type B 10pin Female to mini USB2.0 Type B 10pin Female pass-through adapter breakout board. It brings all 10 pins of two mini USB2.0 Type B 10pin Female connectors to screw terminal blocks and headers for easy testing, prototyping and breadboard connection. All 10 pins of the mini Female connector directly connect to another Female connector. User can also use the two 5 pins headers on both sides of the breakout board to connect to breadboard or prototyping PCB.

2. Features:

- All 10 pins of two mini USB2.0 Type B 10pin Female connectors brought out to headers and screw terminal blocks
- All 10 pins of the Female connector directly connect to the Female connector.
- Various connecting method chosen by users.
- 1.00"(25.4mm)X1.08"(27.5mm) board dimensions

3. Parts:

- 1) 1pc X USBm10-BF-BF-V1A PCB
- 2) 2pc X mini USB2.0 Type B 10pin Female Connector
- 3) 2pc X 5pin 0.1"(2.54mm) spacing terminal block
- 4) 1pc X 10pin 0.1"(2.54mm) header

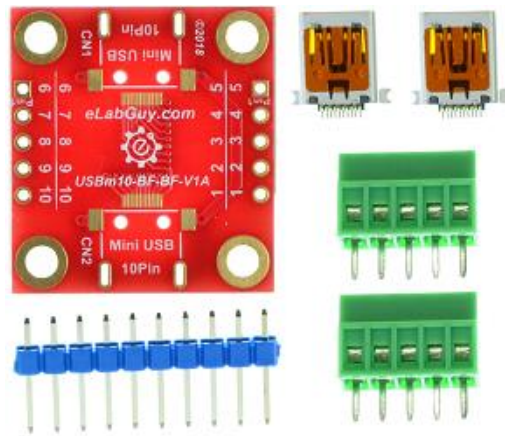
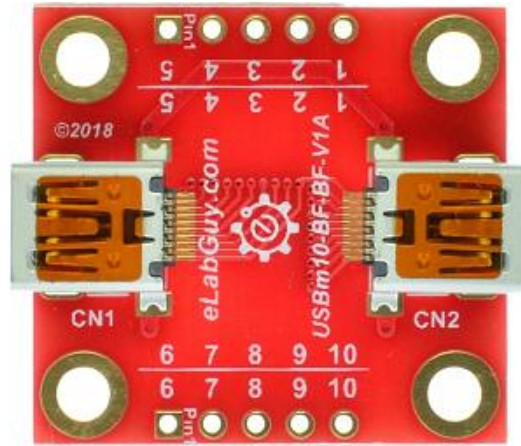


Figure 1: Parts inside the kit
(Note: the module is not assembled, user can decide which connector to use on the module.)

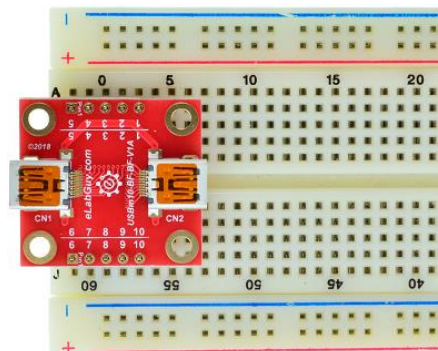


Figure 2: Example of connecting the USBm10-BF-BF-V1A on a breadboard (Note: This picture only shows the pins spacing, actual use may not be used on a breadboard)



Figure 3: USBm10-BF-BF-V1A with headers

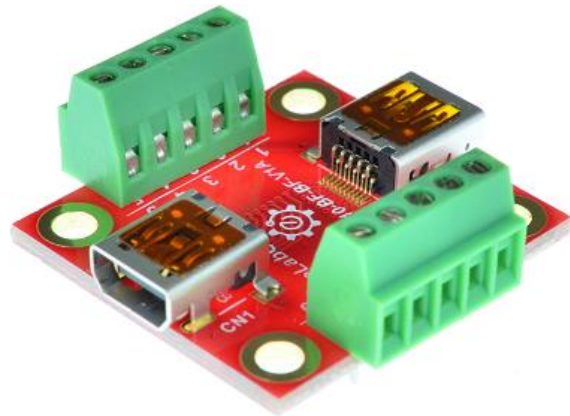
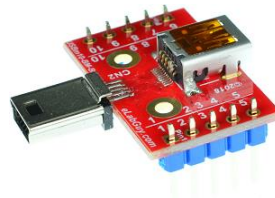


Figure 4: USBm10-BF-BF-V1A with terminal blocks

Related products from eLabGuy:



USBm10-BF-BF-V1A



USBm10-BF-BF-V1A



USBm10-BF-BO-V1A



USBm10-BM-BO-V1A